



# Oregon

Tina Kotek, Governor

**Department of Transportation**

Commerce and Compliance Division

455 Airport Road SE, Building A

Salem, OR 97301

Telephone (503) 373-0000

FAX (503) 378-2873

## **Special Transportation Permit Attachment 24 (Revised 01-2023)**

### **SPLASH AND SPRAY SUPPRESSANT DEVICE REQUIREMENTS**

Each vehicle combination exceeding 80,000 pounds, and all triple trailer combinations regardless of weight, are required to obtain an Extended Weight Variance Permit. In addition to the mudguard/fender requirements described in ORS 815.180 and ORS 815.182, vehicle combinations exceeding 80,000 pounds, and all triple trailer combinations regardless of weight, are required to comply with the following minimum splash and spray devices when wet road conditions exist:

#### **MINIMUM SPLASH AND SPRAY SUPPRESSANT DEVICE REQUIREMENTS:**

##### **A. Mudguards, Fenders are required:**

- (1) The mudguard or fender must be installed behind **each** axle, tandem axle or group of axles, and behind any axle where the distance between the inside tread of two consecutive axles is more than 5' apart;
- (2) The mudguard or fender shall be placed no more than 5' behind the rear tire of each axle that requires a mudguard or fender; and;
- (3) The mudguard or fender must comply with the requirements described in ORS 815.180 and ORS 815.182, shall not be more than 10" above the surface of the highway or, if attached to the rear of a dump box that elevates for unloading, not more than 13" above the surface of the highway, and cannot be more than 5' behind the tread of the last axle.

##### **B. Side Skirts are required and:**

- (1) Must be installed on all non-pivoting axle(s);
- (2) Must be attached to the vehicle at the forward most point to the rear most point of the tread of each tire considered separately. Except to allow for clearance lights and tie down devices, there shall not be a gap at the top of the side skirt where it attaches to the vehicle;
- (3) Must be constructed of a stiff, durable material that is impervious to water and capable of deflecting water or other wet substances that may be picked up and carried by the tires or wheels. Bristle type material(s), also known as Hula Skirts, may qualify as a side skirt as long as they meet the placement standards shown in this section.
- (4) In lieu of a side skirt, a fender with an outer lip extending from the body of the vehicle may be used **providing** it meets the side skirt requirements (1) through (3) shown above.

### **Exemptions From Splash And Spray Suppressant Device Requirements**

#### **Exempt from Splash and Spray Suppressant Device Requirements:**

A motor truck that is not equipped with a body (for example a log truck);  
A pole trailer.

#### **Exempt only from the Side Skirts Splash and Spray Suppressant Device Requirement:**

A jeep;  
A booster;  
A lowboy;  
A container chassis;  
A frame rail trailer.

**Unless otherwise exempt by statute or rule, all vehicles must meet the mudguard and fender requirements described in ORS 815.180 and ORS 815.182.**

## ILLUSTRATIONS

Figure 1 - Placement of Mudguards or Fenders &

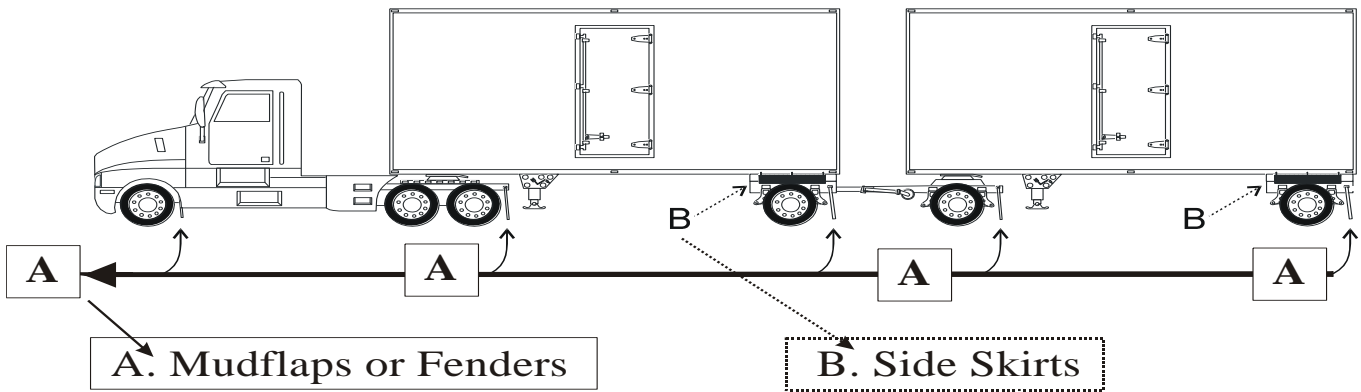


Figure 2 - Side Skirt

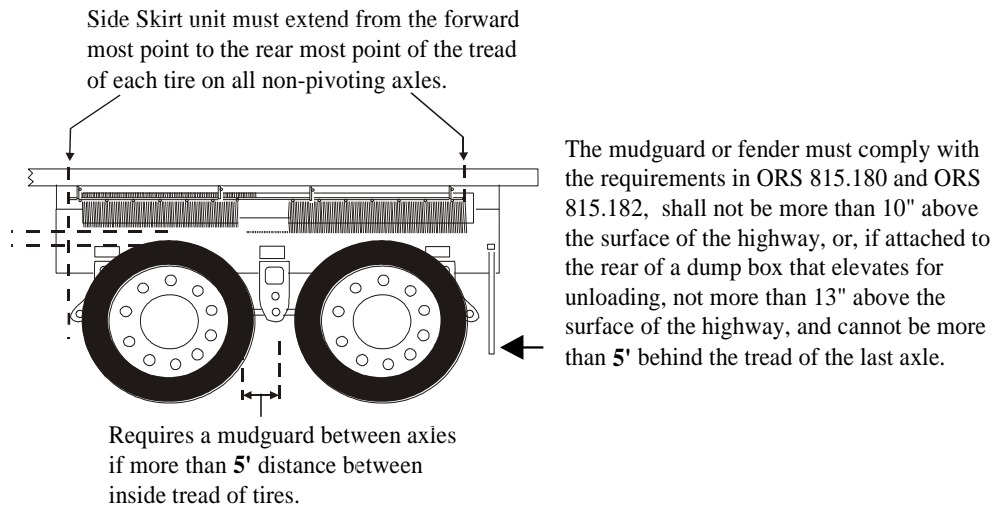


Figure 3 - Fender (Side Skirt) Requirement

